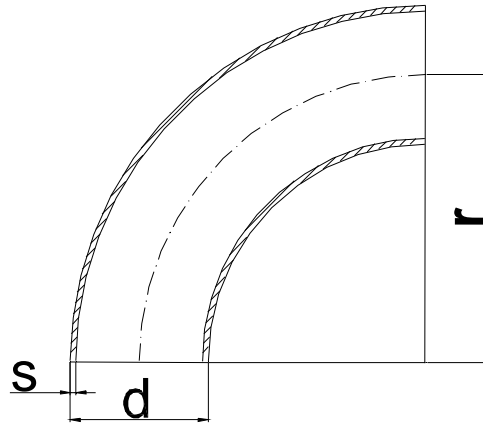




**INTERSTEEL**<sup>®</sup>  
INDUSTRIAL EQUIPMENT

## ELBOWS FOR IRRIGATION TYPE AR



Outside Diameter	Wall thickness	Radius	Weight
d mm	s mm	r mm	Kg/90°
70	2,5	145	0,850
88,9	3,0	153	1,410
108	3,2	238	1,730